

Notes

All dimensions in millimeters unless otherwise noted.
 Do not scale from drawings, use figured dimensions only.
 The build-up shown is for the external access track, outside of the substation compound.
 The access track may be widened in some locations to facilitate the delivery of the substation transformer. Such variations are indicated on the Site Layout Plan.
Drawings are for planning only and should not be used for detailed design. The detailed design will be subject to EirGrid approval based on their latest specifications at the time, and equipment dimensions/siting may vary once the exact specification are determined

Legend

Revisions

REV	DATE	DESCRIPTION
0	13.10.25	Issued for Planning

Drawn By: RH
 Approved By: MMC

Summary

Project
 Drumdowney Substation & Grid Connection

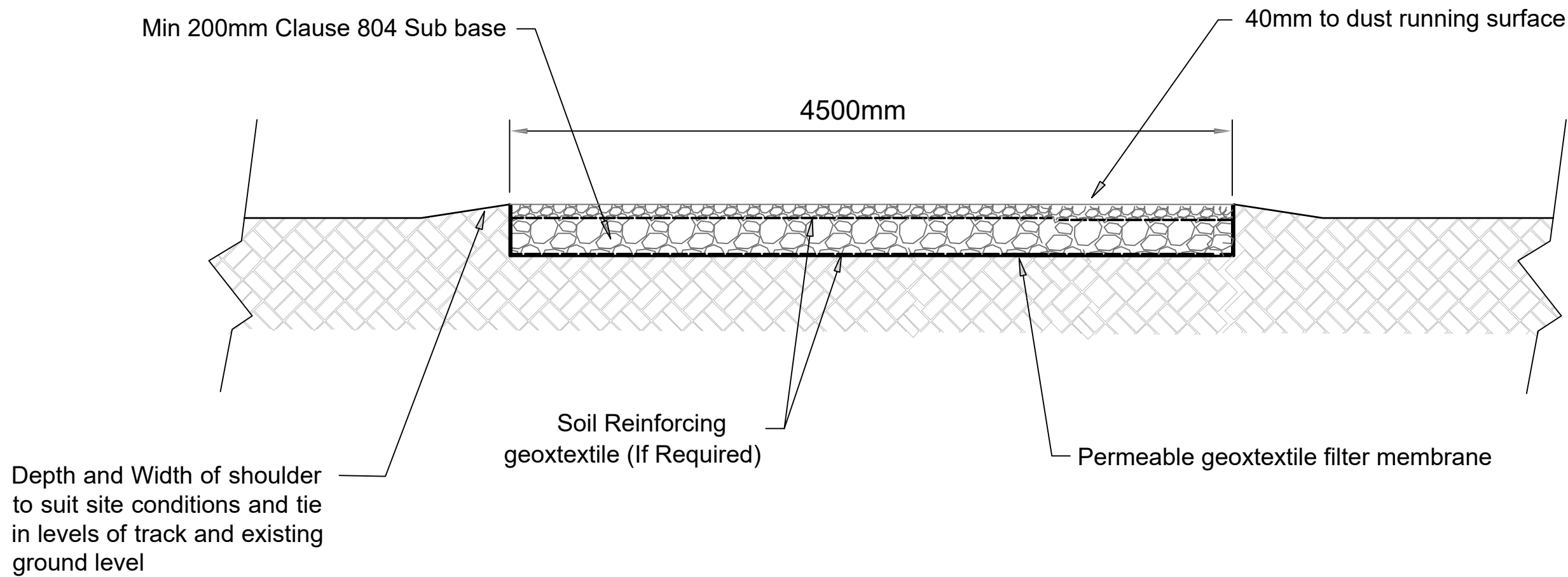
Location
 Rathpatrick, Co. Kilkenny

Title
 Access Track Details

Drawing Number
 DRMDY-DR-013

Scale
 1:30 @ A3

Drumdowney Solar Farm Limited
 Commercial House
 Millbank Business Park
 Lucan
 Dublin



Site Access Track Cross Section
 SCALE 1:30